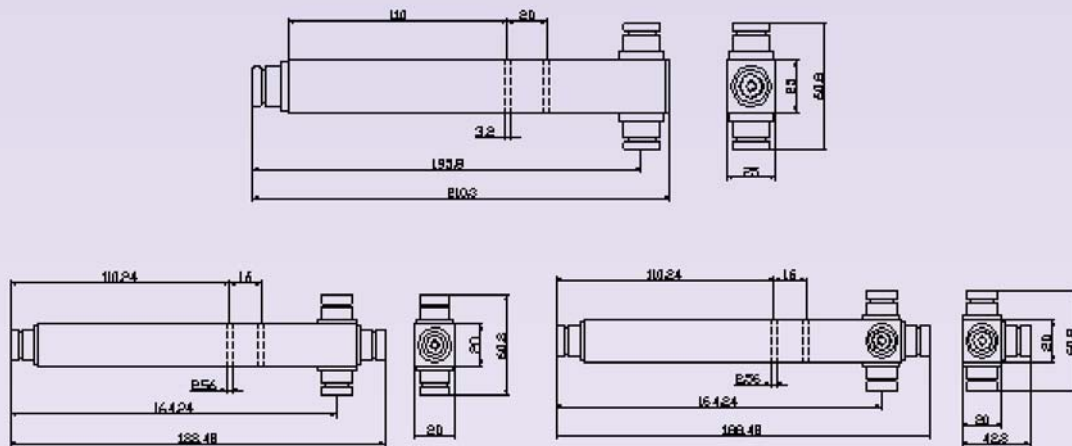


## CAVITY POWER SPLITTER - WATERPROOF



### ::: Specification :::

Mechanical Specification		Electrical Specification	
<b>Material</b>		Freq	800~2500MHz
Inner Conductor	Beryllium Copper or Spring Bronze	VSWR Input(all ports)	1.2:1 Max.
Other Metal Parts (Housing)	Alumimum	Isolation	0.1 MAX
<b>Plating</b>		PIM	-150dBc, 2x43dBm
Inner Conductor	Silver Plated	Input Power	300Watt
Outrer Conductor	Nickel Plated	Impadence	50 ohm(s) / Norminal
Other Metal Parts	--- Plated		
<b>Physical Specification</b>			
Operating Temperature	-35°C ~ +75°C		
Connector Input	N Female		
Connector Output	N Female		
<b>Dimension</b>			



### ::: Ordering Information :::

Part Number	Description	Split Loss, dB	weight(g)
LTGF-08/25W-02-200	2 Way	3	380
LTGF-08/25W-03-200	3 Way	4.8	440
LTGF-08/25W-04-200	4 Way	6	470